

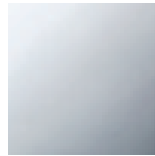


Sink - IMO

Single-lever lavatory mixer without drain - polished chrome

Article number: 33 521 670-00 0010

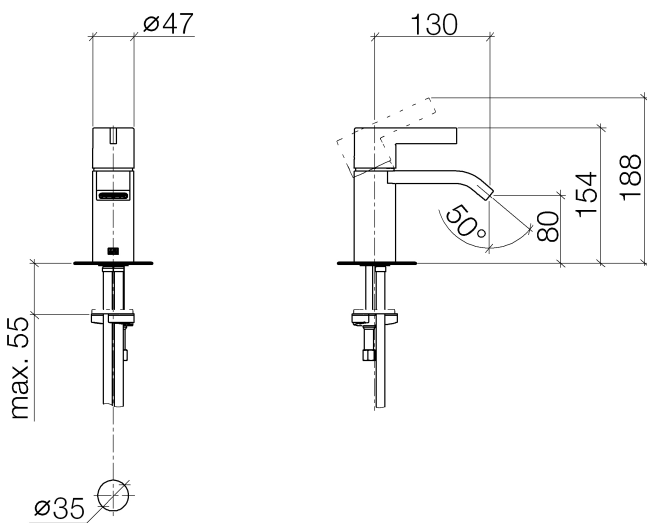
- 5-1/8" Projection
- Rigid spout
- Rectangular aerated stream
- Total height 6-1/8"
- Height to aerator/spout outlet 3-1/8"
- 1-3/8" hole diameter
- 2x 3/8" US flexible supply lines
- Water flow rate limited to max. 1.2 gpm
- lead-free



polished chrome



Dimensional drawing



All dimensions in mm / inch = mm x 0,0394

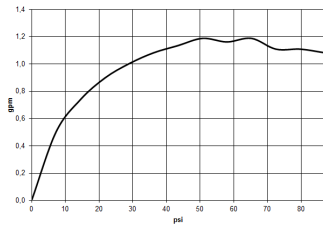


Sink - IMO

Single-lever lavatory mixer without drain - polished chrome

Article number: 33 521 670-00 0010

Flow rate chart





Sink - IMO

Single-lever lavatory mixer without drain - polished chrome

Article number: 33 521 670-00 0010

Other surface finishes



platinum matte

33 521 670-06 0010

More custom finish options are available via special production (xTra Service). Please see our finish matrix for availability and pricing or contact a Dornbracht representative.